

The variable spring transom closer has the same footprint as the current ARC-51N however can be adjusted to suit each opening ensuring the door closes correctly while keeping the opening force down to a minimum.



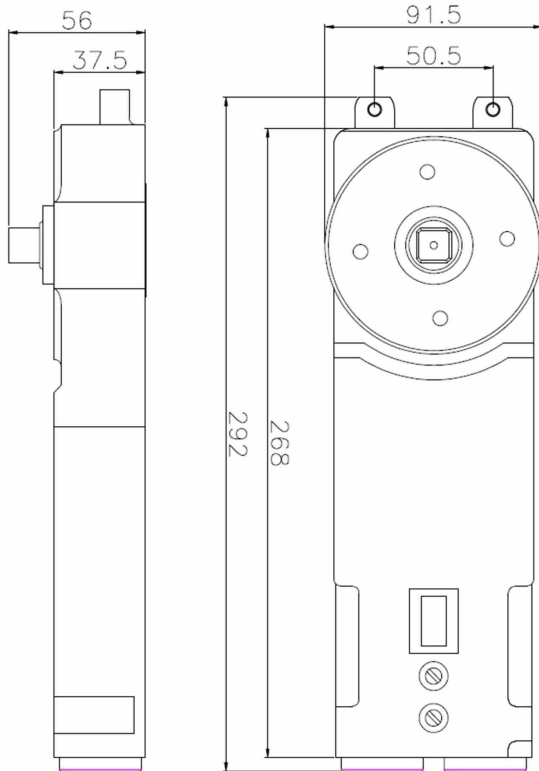
### Key Benefits

- Adjustable spring strength EN1-4 to levels in EN1154
- Uses standard ARC-51N accessories which suit majority of applications
- Supplied as body only with modified L bracket and tag plate.
- Adjustable closing and latching speeds
- Designed for use on aluminium doors
- Available in non-hold open and 90 degree hold open variants
- Only 37.5mm thick allowing installation in standard transom channels.
- Tested to 500,000 cycles
- Not designed to aid compliance to the opening force requirements of ADM/BS8300
- 3 year guarantee

### Related Hardware

See ordering information

### Specification



Dimensions:	292mm x 91.5mm.
Concealed Thickness:	37.5mm.
Door Suitability:	See table for maximum door sizes/weights.
Closing Speed:	Initial closing and latching speeds are factory preset and fully adjustable on site.
Spring Strength	Adjustable between EN1-4 (to EN1154 requirements) EN2/3/4 is equivalent to ARC-51N spring strength light/medium/heavy respectively
Lubrication:	Stable hydraulic fluid suitable for most climatic conditions and constant lubrication.
Features:	<b>Built-in positive back stop and optional 90° hold open position.</b>
Max Door Weight	When using heavy duty bottom pivot rated to 120kg
Note:	On single action centre-pivot doors it is recommended that a local door stop is fitted at the head to prevent the door swinging through when using electric strikes and latches.

AR Spring Strength	EN Spring Strength	Maximum Door Width	Maximum Door Height	Maximum Door Weight
N/A	1	750mm	2500mm	20kg
Light	2	850mm	2500mm	40kg
Medium	3	950mm	2500mm	60kg
Heavy	4	1100mm	2500mm	80kg

Spindle Length	Body to end spindle	Total Depth
14mm	18mm	56mm

### Ordering Information

DC51-V11-000A	EN1-4 VARIABLE SPRING CLOSER NHO BODY&TAG ONLY
DC51-V12-000A	EN1-4 VARIABLE SPRING CLOSER 90 DEG HO BODY&TAG ONLY

#### Transom Closer Arm

DC51-P-A1	ADAMS RITE CLOSER SIDE LOAD ARM & CHANNEL NO TAG PLATE
DC51-P-A2	ADAMS RITE CLOSER SIDE LOAD AFT ARM & CHANNEL NO TAG PLATE
DC51-P-A3	ADAMS RITE CLOSER END LOAD AFT ARM & CHANNEL NO TAG PLATE

#### Transom Closer Bracket

5100-0130	ARC-51N 70MM F BRACKET AND L BRACKET KIT
5100-0160	ARC-51N 65MM F BRACKET AND L BRACKET KIT

#### Transom Closer Pivots

5100-0120	STD DUTY BOTTOM PIVOT ASSEMBLY
5110-0210	ARC 51 HEAVY DUTY BOTTOM PIVOT ASSEMBLY